

CLOPAY COMMERCIAL – MODEL VS904

STACKING SERIES

 Clopay®



VERTISTACK™ CLEAR DOOR

The VertiStack Clear door utilizes unique, compact stacking sections that take up minimal ceiling space, so it won't interfere with mechanical, electrical or plumbing fixtures. Vertically stacked sections with minimal projection on the wall allow for a clear and open ceiling. The sections can even be recessed into the ceiling if desired. Designed to operate smoothly and quietly, the door will not disturb patrons when operating.

clopaycommercial.com



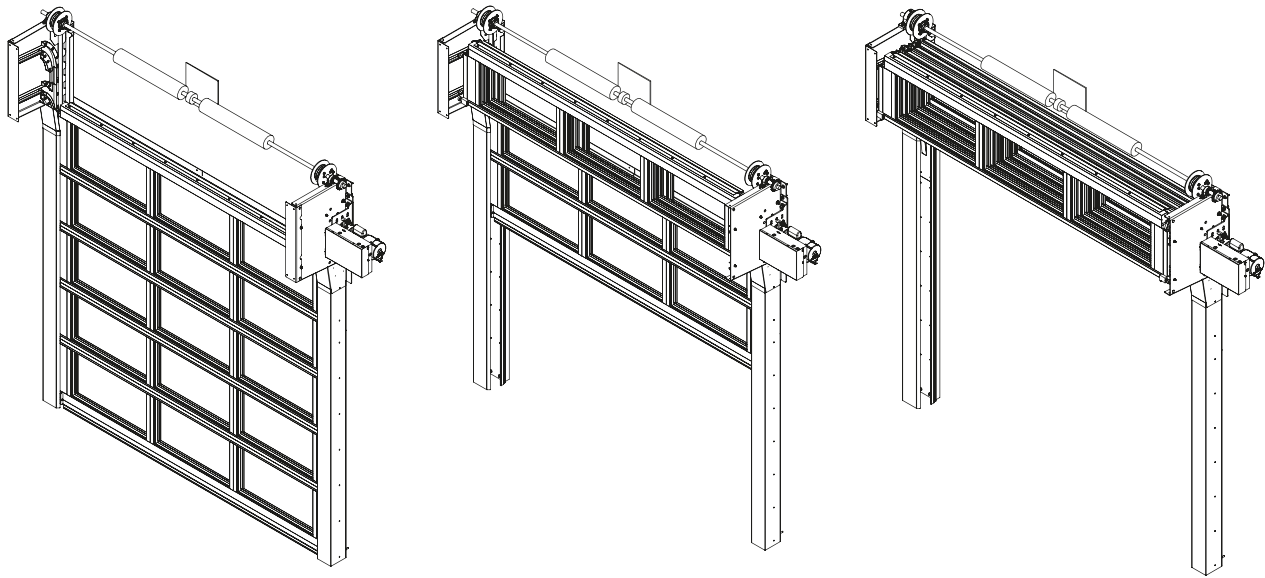
COMPACT VERTICAL STACKING ENABLES CLEAN AESTHETIC

EXPAND YOUR FOOTPRINT

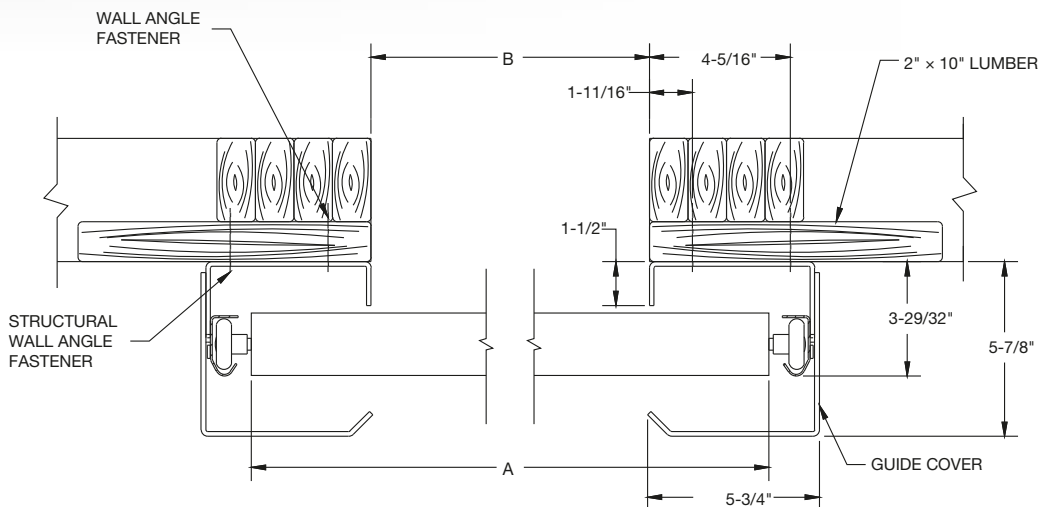
VertiStack Clear allows you to bring the outside in. When the door is open, indoor seating can be extended to the outside areas, inviting a state of flow between interior and exterior spaces. When the door is closed, the glass panels let in ample sunlight to offer warm hospitality. The built-in gaskets between sections make the door IECC compliant for air infiltration, keeping patrons comfortable while reducing energy usage.

CLEAR AESTHETICS

VertiStack offers a sleek design with minimal lines and angles. A clean, modern look from inside and out with aesthetic appeal is created since VertiStack Clear has no visible hinges or exposed track or cable. Available in a variety of glass, acrylic and polycarbonate options, VertiStack Clear also offers choices for customizable color and finish, giving designers free rein and flexibility to match or enhance any aesthetic.



GUIDE CONSTRUCTION



CALCULATE NUMBER OF PANELS AND SECTIONS

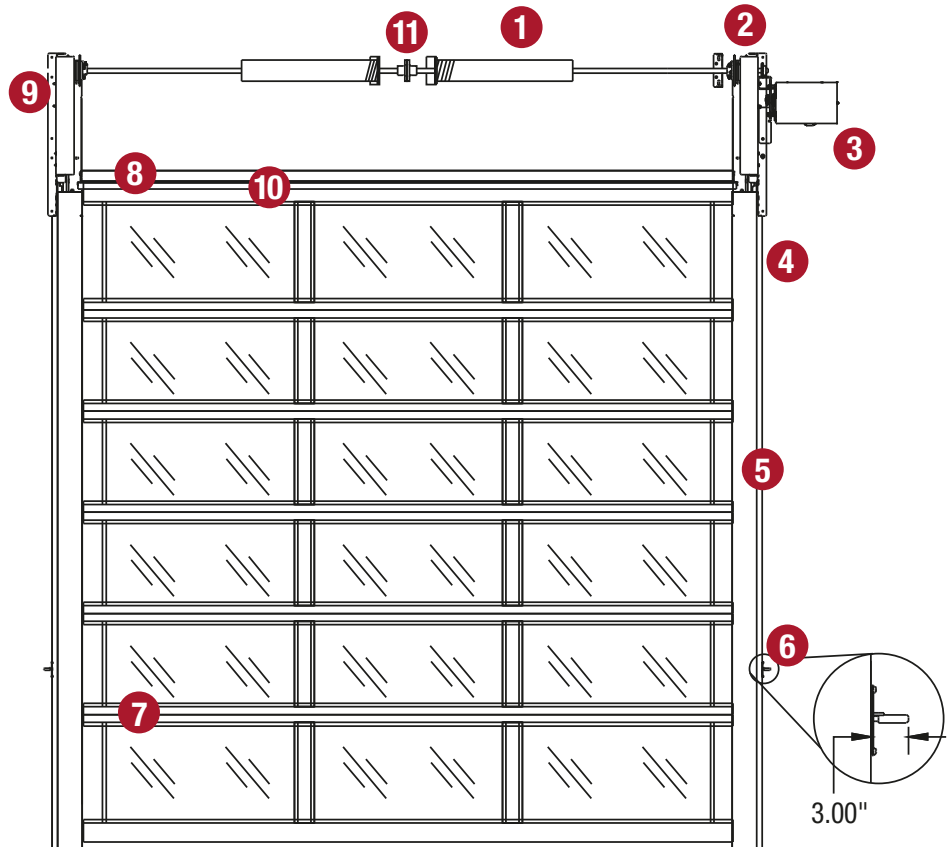
OPENING WIDTH	NUMBER OF PANELS
Up to 4'8"	1
4'9" – 9'2"	2
9'3" – 13'2"	3
13'3" – 14'0"	4

DOOR HEIGHT	NUMBER OF SECTIONS
4'0" – 5'8"	3
5'9" – 7'0"	4
7'1" – 8'4"	5
8'5" – 9'8"	6
9'9" – 11'2"	7
11'3" – 12'8"	8
12'9" – 14'0"	9

The details and dimensions on this sheet are provided as a rough guide for planning purposes. To request project-specific shop drawings, contact your Clopay customer support or sales representative. Architects and specifiers, visit architectdoorhelp.com.

STANDARD COMPONENT MATERIALS AND FINISHES

- 1. TORSION SPRINGS**
25,000-cycle springs
- 2. STRAP SPOOL**
2" nylon strap in lieu of cable
- 3. OPERATOR**
Side mount shown
Top and front mounts are also available
- 4. GUIDE COVERS**
Slip-on design with no visible fasteners,
powder coated in RAL 9005 (Jet Black)
- 5. VINYL WEATHER SEAL**
Clips onto guide channel.
ASTM E283 Air Leakage Rating
- 6. MANUAL LOCK**
Integrated into guide cover (1 per guide)
- 7. SECTIONS**
Clear anodized aluminum (standard)
- 8. HEADER CHANNEL**
For top seal contact, cable
management and installation tool
- 9. HEAD PLATES**
Powder coated in RAL 9005 (Jet Black)
- 10. TOP SEAL**
Mounts to top section
- 11. SHAFT COUPLER**



OPERATION AND STRUCTURAL REQUIREMENTS

Motor operation required.

The standard VertiStack operator includes an auxiliary hand chain for emergency use only. This product is supported by a guide assembly attached to the jamb construction. Header support is required for mounting counterbalance system as would be required with any standard sectional door. Adding an optional hood to a wider door may require hood supports.

For commercial applications only.

OPTIONAL GLASS AND FINISHES

- A variety of glass and acrylic panels are available, including tempered, insulated, frosted, and Low-E options available. Glass thickness available in 1/8", 1/4" and 1/2". Tri-wall polycarbonate thickness available in 5/8".
- Anodized finishes: Clear, Black, Bronze, Dark Bronze
- Paint finishes: Chocolate, White and Bronze

AVAILABLE SAFETY FEATURES

- Photo eye sensors (concealed by guide covers)
- Wireless sensing edge (only available on doors over 53" high)

CERTIFICATIONS AND LISTINGS

- ±25 PSF Design Pressure – WindCode® W4
- Meets ASHRAE® 90.1, Title 24 and IECC® (International Energy Conservation Code) 2021 Section C406.9 Air Infiltration requirements with an independently tested value of 0.2 cfm/ft²

CUSTOM-DESIGNED SOLUTIONS

Contact our experienced Architectural Design Support Team for help in customizing our products to fit your specific application at

www.architectdoorhelp.com

MEASURE THE HEIGHT AND WIDTH OF THE OPENING

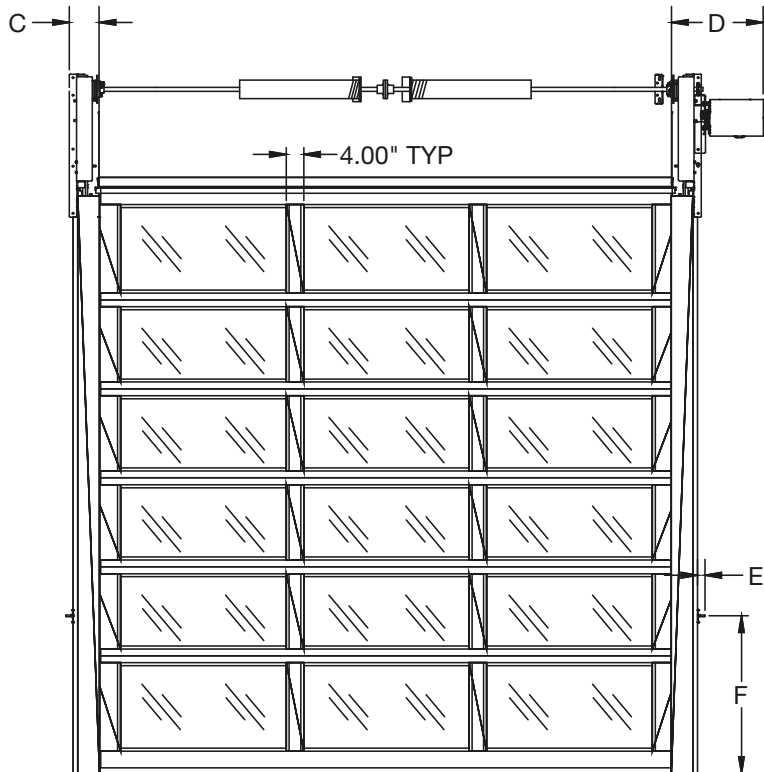
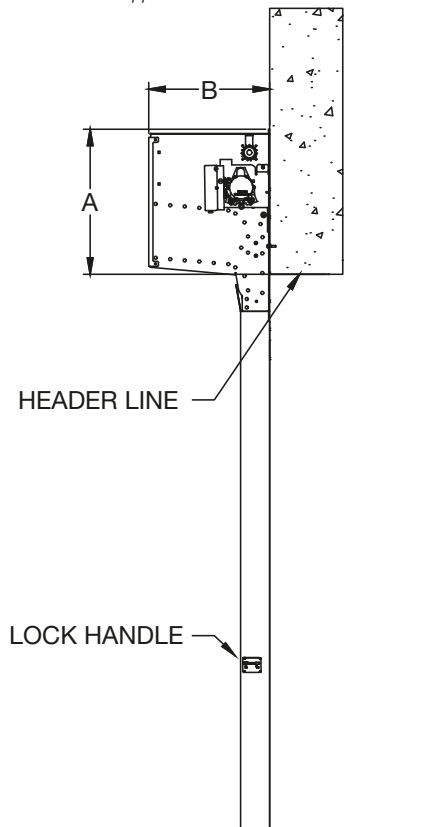
HEIGHT	A	B	C*	D**	E*	F***	G
4'	26.938"	12.500"	7.688"	23.5"	3.000"	12"****	14.500"
5'	30.938"	12.500"	7.688"	23.5"	3.000"	12"****	18.500"
6'	29.313"	15.500"	7.688"	23.5"	3.000"	40"	16.875"
7'	32.313"	15.500"	7.688"	23.5"	3.000"	40"	19.875"
8'	30.750"	18.500"	7.688"	23.5"	3.000"	40"	18.313"
9'	29.688"	21.500"	7.688"	23.5"	3.000"	40"	17.250"
10'	28.938"	24.500"	7.688"	23.5"	3.000"	40"	16.500"
11'	30.625"	24.500"	7.688"	23.5"	3.000"	40"	18.188"
12'	29.875"	27.500"	7.688"	23.5"	3.000"	40"	17.438"
13'	29.250"	30.500"	7.688"	23.5"	3.000"	40"	16.813"
14'	30.625"	30.500"	7.688"	23.5"	3.000"	40"	18.188"

*Actual dimensions provided. We recommend 12" of total side clearance from the opening on each side for installation and lock operation.

**Dimensions for side-mounted operator. Front and top mounts are also available.

***Lock handle height.

****12" For counter applications.



The details and dimensions on this sheet are provided as a rough guide for planning purposes. To request project-specific shop drawings, contact your Clopay customer support or sales representative. Architects and specifiers, visit architectdoorhelp.com.



For more information on these and other Clopay products, visit clopaycommercial.com. Architects and specifiers, visit architectdoorhelp.com.



©2023 Clopay Corporation. All rights reserved.

CMDC-VS904-22_REV1023