

# APARTMENT TROLLEY (APT)

## LOGIC 5.0 COMMERCIAL DOOR OPERATOR



### INDUSTRIAL-DUTY APPLICATIONS

**HIGH-CYCLE, SECTIONAL OVERHEAD APARTMENT DOORS**  
Over 100 Cycles per Day

**RENTAL AND RETAIL ENVIRONMENTS**  
Resilient-Mount Motor Ensures Quiet Operation

**QUICK DISCONNECT TROLLEY WITH AUTO-RECONNECT**  
Saves Time and Eases Reconnection

### SMART

**MyQ® TECHNOLOGY** ENABLES MONITORING AND CONTROL OF THE FACILITY OPERATORS THROUGH A MOBILE APP.

**GRID VIEW** TO EFFICIENTLY MONITOR ALL THE DOORS IN THE FACILITY.

**REAL-TIME ALERTS** INDICATE THE STATUS OF DOORS VIA EMAIL OR PUSH NOTIFICATIONS.

CONNECTIVITY REQUIRES PURCHASE OF INTERNET GATEWAY (828LM) OR MyQ HOME BRIDGE (819LMB), SOLD SEPARATELY.

### SAFE AND SECURE

**SECURITY+ 2.0®** SAFEGUARDS FACILITY ACCESS WITH ROLLING CODE TECHNOLOGY, OPENING FOR REGISTERED DEVICES ONLY.

**TIMER-TO-CLOSE** CAN BE PROGRAMMED TO CLOSE THE DOOR AFTER A SET AMOUNT OF TIME.

**THE COMMERCIAL PROTECTOR SYSTEM®** AUTO-REVERSES THE DOOR IF AN ENTRAPMENT PROTECTION DEVICE DETECTS AN OBSTRUCTION.

UL 325 REQUIRES ALL COMMERCIAL DOOR OPERATORS TO BE EITHER CONSTANT PRESSURE TO CLOSE OR BE EQUIPPED WITH A PRIMARY EXTERNAL MONITORED ENTRAPMENT DEVICE.

### RELIABLE

**CONTINUOUS-DUTY HIGH-STARTING TORQUE MOTOR** PERFORMS IN DEMANDING INDUSTRIAL OVERHEAD DOOR APPLICATIONS.

**WARRANTY 2 YEARS.**

**BEYOND INDUSTRY STANDARDS:** LIFTMASTER® IS COMMITTED TO QUALITY PRODUCTS, INNOVATIVE DESIGN AND COMPREHENSIVE SERVICES.

### MONITORED ENTRAPMENT PROTECTION:

#### COMMERCIAL PHOTO EYES

Indoor use; NEMA 1 rated; max. range: 30 ft.



CPS-U

#### RETRO-REFLECTIVE PHOTO EYE

Photo eye and reflector with polarized beam; indoor/outdoor use; NEMA 4X rated; max. range: 50 ft.



CPS-RPEN4

#### DUAL-SIDED PHOTO EYES

Flexible rubber housings resist water spray and corrosion; indoor/outdoor use; NEMA 4X rated; max. range: 45 ft.



CPS-OPEN4

#### COMMERCIAL PROTECTOR SYSTEM

Heavy-duty industrial housings; indoor/outdoor use; NEMA 4 rated; max. range: 45 ft.



CPS-UN4

#### OPTICAL EDGE SYSTEM

Infrared optical sensors in a customizable rubber enclosure are protected against water; indoor/outdoor use; NEMA 6 rated; max. range: 33 ft.



OES

### NON-MONITORED ENTRAPMENT PROTECTION:

#### LIGHT CURTAIN

Provides 36 inches of increased zone coverage for additional protection; indoor use; max. range: 33 ft.



LC-36A

### TOTAL SOLUTION ACCESSORIES:

#### ENCRYPTED DIP 3-BUTTON, 3-COLOR REMOTE CONTROL

Extreme-range remote programmable for open/close/stop operation.



813LM

#### INTERNET GATEWAY

Enables smartphone monitoring and control of each operator.



828LM

#### RED/GREEN TRAFFIC LIGHT

High-intensity LED lights indicate the door status for safe exit and entry in any light (TLS1CARD recommended).



RGL-CTL

LiftMaster offers accessory solutions for any commercial application. View the full product lineup at [LiftMaster.com](http://LiftMaster.com)

# MASTERFUL ENGINEERING.

## MOTOR

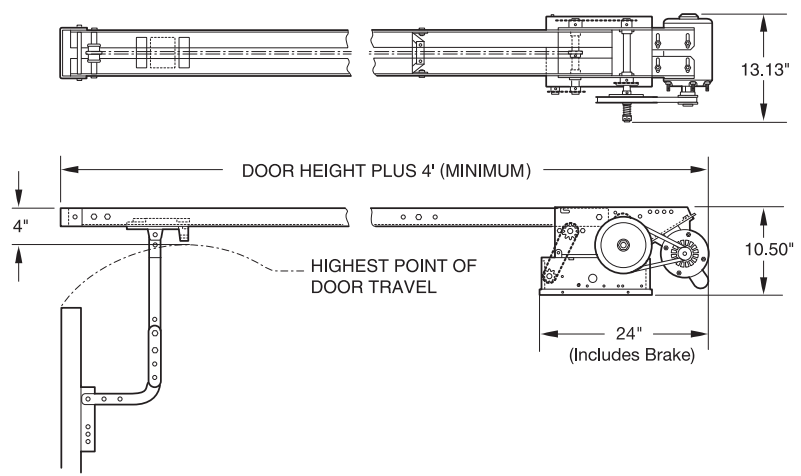
- Available in 1/2 HP
- Instant Reverse and Overload Protection
- Capacitor Start on Single-Phase
- Removable without Affecting Limit-Switch Settings

## POWER

- Dual-Voltage Connections
  - Single-Phase: 115V and 230V
- Customizable Voltage to Meet Job Requirements
- 5V DC NEC Class 2 Control Voltage

## COMMERCIAL-GRADE DESIGN

- **Industrial Ball Bearings** on Output and First Reduction Shafts with Bearings on Second Reduction Shaft
- **Emergency Disconnect** for Manual Lifting in an Emergency with Auto-Reconnect Feature
- **Solenoid Brake** Standard on All Models
- **Drive Reduction:** Heavy-Duty 5L V-Belt (First Stage); #41 Chain (Second and Third Reductions); Additional Drive Reduction for Higher-Duty Cycle
- **Trolley Chain:** #48



MAXIMUM DOOR AREA (SQ. FT.)				
<b>STANDARD SECTIONAL</b>	24 GA., 22 GA. STEEL	20 GA. STEEL	16 GA. STEEL	-
	ALUMINUM DOORS	WOOD DOORS	-	-
	FIBERGLASS DOORS	24 GA. STEEL INSULATED	20 GA. STEEL INSULATED	16 GA. STEEL INSULATED
<b>HP</b>	<b>1/2</b>	250	225	150

# STANDARD SPECS.

### SECURITY+ 2.0® RADIO RECEIVER

- ACCEPTS:
- (30) 3-Button Remote Controls or (90) 1-Button Remote Controls
  - Additional 30 Wireless Keypads
  - Unlimited DIP Switch Remotes

### WIRING

- Control Function Selector Dial Allows Easy Selection of 7 Wiring Types to Meet Users' Needs
- C2 (Constant Pressure to Close) Wiring Preset
- Wiring Types B2, T, TS and FSTS Can Be Selected with the Addition of an Entrapment Protection Device
- Monitored Entrapment Protection Is Recommended When Using C2, D1 or E2
- Logic 5.0 Operators Only Accept UL-Approved LiftMaster® Entrapment Protection Devices

### CONSTRUCTION

- NEMA 1 Type Electrical Box
- Heavy-Duty 11-Gauge Steel Frame with Durable Powder-Coated Finish
- All Reduction Sprockets Drilled and Pinned to Shafts
- Mid-Stop Enables Partial Openings to a Programmed Position for Environmental Control and Time Savings
- Adjustable Friction Clutch Protects the Door and Operator from Damage and Obstructions

# MODIFICATIONS AND ACCESSORIES. BUILT FOR ANY APPLICATION.

- **TLS1CARD:** Timer Light Status Plug-In Option Card (Typically Used to Control Red/Green Traffic Light and Audible Devices)
- **AUXCARD:** Auxiliary Contacts Plug-In Option Card (with Relays That Change State While the Door Is Moving and When the Operator Is Powered Down)
- **Auxiliary Limits:** Auxiliary Limit Switches at Open and Closed Limits to Control Lights, Heaters, Dock Levelers and Other Auxiliary Devices

For more detailed information or to configure your model number, please visit [Dealer.LiftMaster.com](http://Dealer.LiftMaster.com)